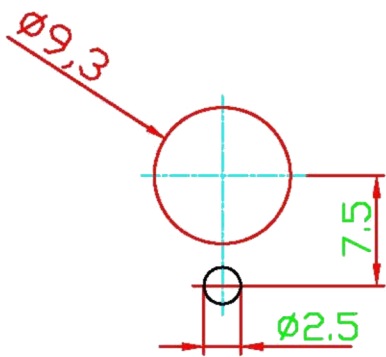
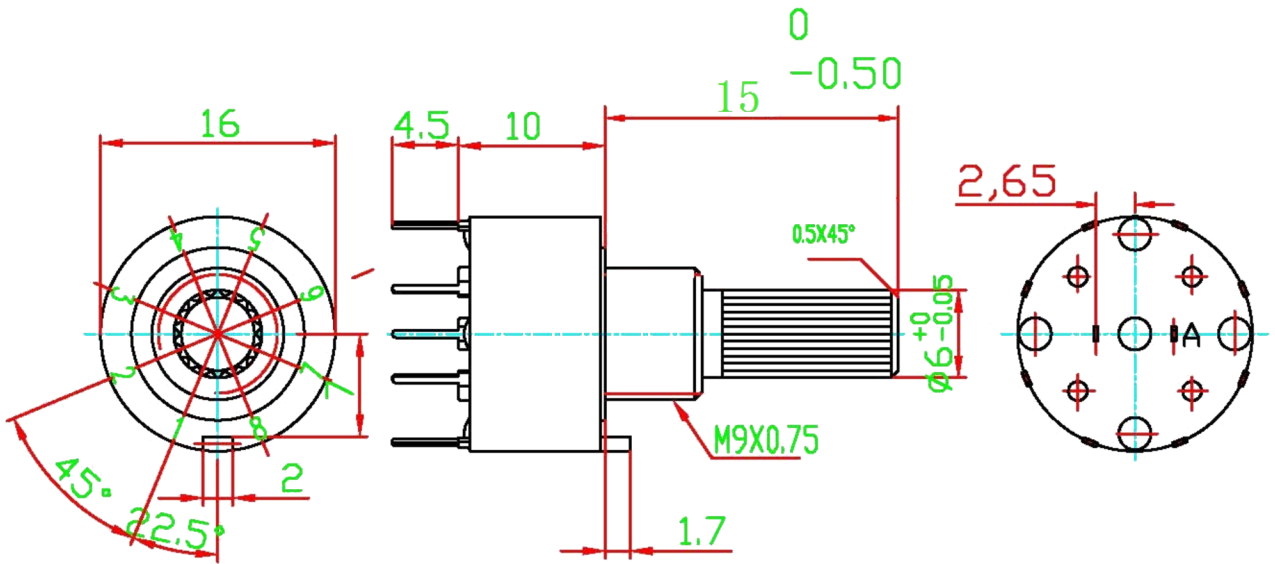
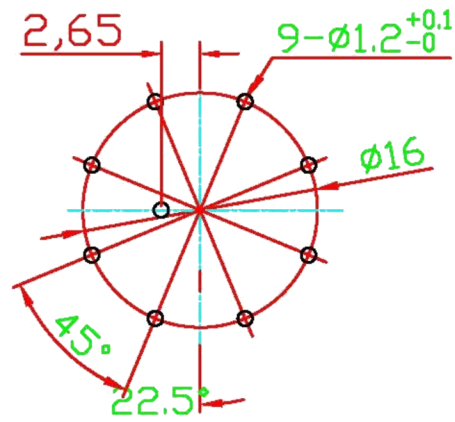


2P4T Rotary Switch



Panel Drill



PCB Drill

**Datasheet complements of
Pedal Parts and Kits
www.pedalpartsandkits.com**

Units = mm

Scale = 2:1